

75 VA Transformer

HCT Series



Specifications

Wire Size

All leads are 18 AWG stranded
2/64" insulation thickness

Quick Connect Size

Standard male quick connect terminals
are .250" x .032"

Frequency

50/60 Hz

Insulation System

130°C Class B

Unit Weight

75 VA 40 oz

Transformers change one AC voltage to another by magnetic induction. Hartland Controls produces transformers with primary and secondary voltage up to 250 VA. Our heavy-duty transformers are used in a variety of applications, including HVAC, water pumps, pool and spa, food service and electronics. We carry extensive domestic inventory to meet delivery schedules.

Features

- UL/CUL recognized 5085—File No. E223730
- Non-inherently limited
- Secondary fusing required
- Multiple mounting and termination options available, contact us for more information.

We can custom engineer a solution
to meet any need. Just ask.

815.626.5170 | HartlandControls.com

75 VA Transformer

HCT Series

Primary Lead Features

Voltage	Common	120	208	240	277	480	575
Color	Black	White	Red	Orange	Brown	Black/Red	Grey
Lead Length	12"	12"	12"	12"	12"	12"	12"
Strip Length	1/2"	1/2"	1/2"	1/2"	1/2"	1/2"	1/2"

Secondary Lead Features

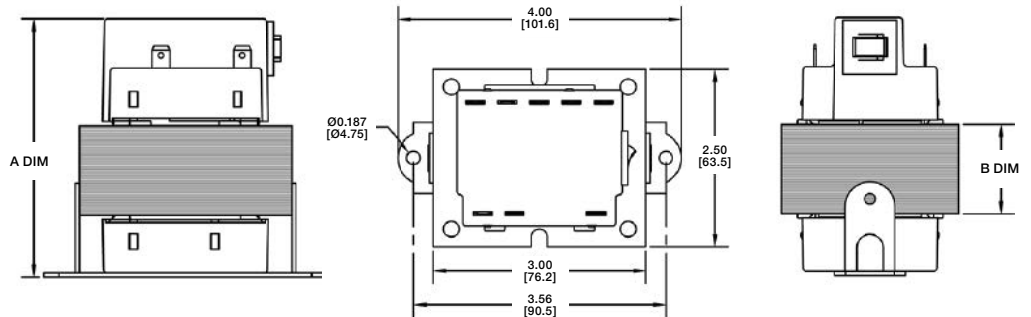
Voltage	Common	24
Color	Blue	Yellow
Lead Length	12"	12"
Strip Length	1/2"	1/2"

Dimensions (inches [mm])

Quick Connect Models

	J Series	H Series
A DIM	3.30	3.45
B DIM	1.00	1.15

J resembles circuit breaker and
H resembles internal fuse



Multiple mounting and termination options available, contact us for more information.