

3 & 4 Pole Contactor 20–40 FLA HCC Series



3 & 4 pole contactors are typically used in commercial applications. These contactors utilize three wires to control electrical current direction. Our engineers and quality specialists provide services that meet or exceed customer requirements—all products undergo in-house testing and validation. We carry extensive domestic inventory to meet delivery schedules.

Features

- 3 Pole NO
- 4 Pole NO
- Silver Cadmium Oxide Contacts
- UL 508 File No. E227250
- Semko/CE File No. EN 60947-4-1:2001
- CSA File No. 221260 (1456104)
- Optional Auxiliary Switches
- Multiple mounting and termination options available, contact us for more information.

We can custom engineer a solution to meet any need. Just ask.

815.626.5170 | HartlandControls.com

Specifications

Initial Dielectric Strength

Between Contacts & Coils: 2,200 VAC
Between Poles: 2,200 VAC
Between Open Contacts: 2,200 VAC

Arc Cover

Standard

Insulation System

130°C Class B

Temperature Range

-40°C to +65°C
-40°F to +150°F

Unit Weight

3 Pole 16 oz
4 Pole 20 oz

Power Pole Terminations

#10-32 screw or box lug

Wire Size

#10-32 screw 16-8 (#8 must use ring terminal)
Box lug 14-4

Recommended Tightening Torque

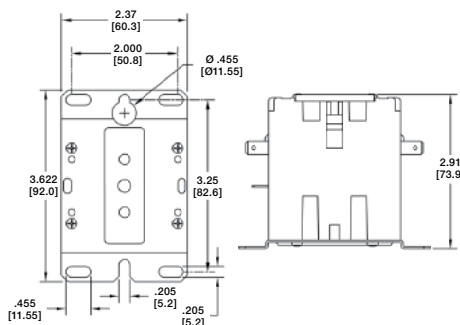
#10-32 screw: 22 in. lbs
Box lug: 40 in. lbs

Quick Connects

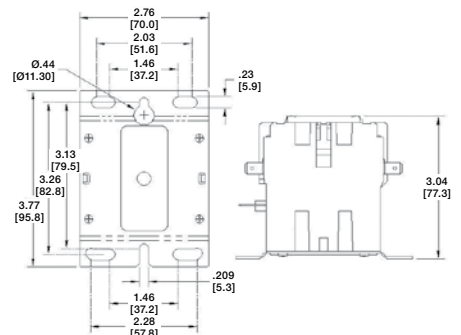
Coil terminals:
Dual: .250" QC or #6-32 screw/.250" QC

Power terminals:
Dual .250" QC

Dimensions (inches [mm]) 3 Pole



4 Pole



3 & 4 Pole Contactor 20–40 FLA

HCC Series

Line Voltage

Full Load Amps	Resistive Amps @ 600 VAC	Locked Rotor Amps @ 240/277 VAC	Locked Rotor Amps @ 480 VAC	Locked Rotor Amps @ 600 VAC
3 Pole Contactors				
20	30	120	100	80
25	35	150	125	100
30	40	180	150	120
40	50	240	200	160
4 Pole Contactors				
20	30	120	100	80
25	35	150	125	100
30	40	180	150	120
40	50	240	200	160

Horsepower Rating

Full Load Amps	120 V		240 V		480 V		600 V	
	Single Phase	Three Phase	Single Phase	Three Phase	Single Phase	Three Phase	Single Phase	Three Phase
3 Pole Contactors								
20	1.5	–	3	7.5	–	7.5	–	7.5
25	2	–	5	7.5	–	15	–	20
30	2	–	5	10	–	15	–	20
40	3	–	7.5	10	–	20	–	25
4 Pole Contactors								
30	1.5	–	3	7.5	–	7.5	–	7.5
40	2	–	5	10	–	15	–	20

Standard Fault Short Circuit Rating

Suitable for use on a circuit capable of delivering not more than 5k rms symmetrical amperes, 600 Volts maximum at 400% of fuse and circuit breaker.

High Fault Short Circuit Rating

Suitable for use on a circuit capable of delivering not more than 100k rms symmetrical amperes as shown.

	Maximum Circuit Breaker		Any Listed Fuse (except as noted)	
	480 Volts Maximum	Minimum Enclosure Volume	600 Volts Maximum	Minimum Enclosure Volume
00, 40	80 A	144 cu. in.	60 A	
01, 41	80 A	144 cu. in.	60 A	
02, 42	80 A	144 cu. in.	60 A	96 cu. in. (1 & 2 Pole)
04, 44	100 A	144 cu. in.	100 A max. Class J Fuse (1 & 2 Pole) 100 A (3 & 4 Pole)	144 cu. in. (3 & 4 Pole)

Note: for a circuit capable of delivering more than 5k rms symmetrical amperes, the equipment enclosure must have a minimum of four fastening points or a piano hinge and two fastening points.

Multiple mounting and termination options available, contact us for more information.